


QUICK INSTALLATION GUIDE 17" LCD Tray

The following instructions will help you install your 17" LCD Tray. Should you require further assistance, please contact Avocent Technical Support.

The 1U 17" LCD Tray supports a pointing device and keyboard, and includes a mounting kit consisting of two outer rails with front and rear brackets attached, one rail-alignment spacer, one IEC connector power cable and related connector hardware.

1 Preparing the rack for installation

Review the documentation that comes with your rack for safety and cabling information. When installing your system in a rack, consider the following:

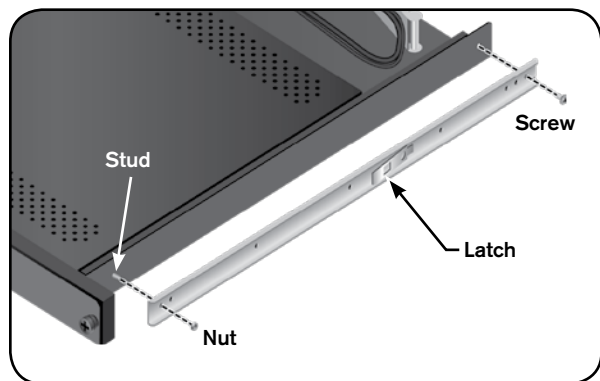
Ensure that the room air temperature is below 95°F and do not block any air vents (usually 6" of air space provides proper airflow). Starting with the heaviest, install devices from the bottom of the rack. Never extend more than one device out of the rack at the same time. Connect power cords to properly wired and grounded electrical outlets. Do not overload the power outlet when installing multiple devices in the rack.

2 Installing the LCD rails

Remove the LCD rails from the rail pack that came in the installation kit. Remove the inner rail from each rail assembly for mounting onto the unit.

NOTE: To remove the inner rail, extend the rail outward and depress the latch. The two LCD rails have a latch located in the center of the rail.

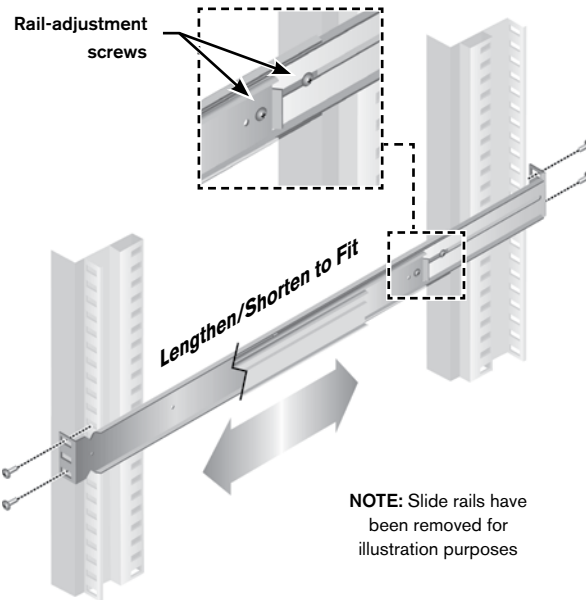
Orient the rails so that the notched end is toward the rear of the LCD. Slip the rail's first hole over the stud that protrudes from the LCD assembly's side. Fasten in place using the supplied nut. The rear of the rail is secured to the LCD assembly with a screw through the last hole of the rail (see illustration below).


3 Installing the rack rails

Select a 1U location in the rack and install the appropriate cage or clip nuts. Next, loosen the two rail-adjustment screws on each of the outer slide rails and extend the rails to their maximum length (see illustration).

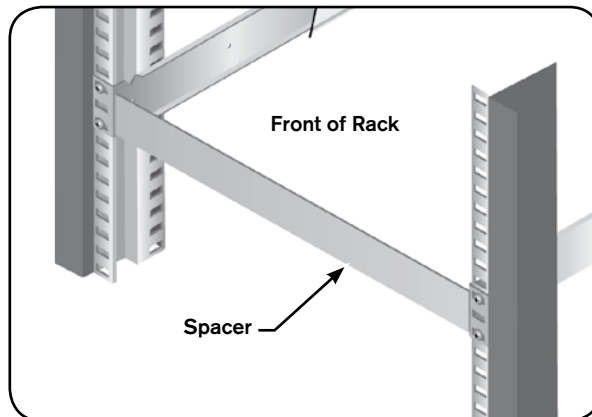
Adjust the outer slide-rail brackets to fit the depth of the rack cabinet, and then use four screws to attach the front of the slide-rail brackets to the rack cabinet. Make sure that the slide-rail brackets extend outside of the rack-cabinet mounting flanges.

NOTE: Do not install screws in the slide-rail bracket middle holes. These holes are for the thumbscrews on the front of the LCD Tray.



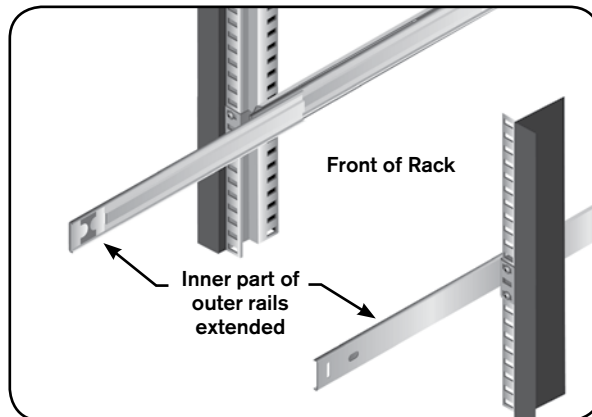
Loosely attach the back of the slide-rail brackets to the rack cabinet, using four screws. Ensure that the slide-rail brackets extend outside of the rack-cabinet mounting flanges. Tighten the two rail-adjustment screws on each of the outer rails.

Next, loosen the front four slide-rail bracket screws and insert the rail-alignment spacer between the finger brackets and over the slide-rails. The rail-alignment spacer must wrap around the rails to align and distance them correctly.

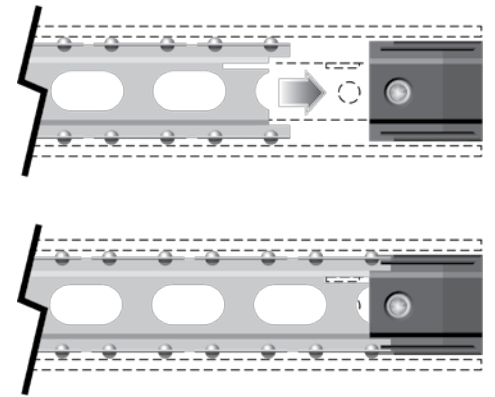


Brackets must fit snugly against the ends of the spacer to establish proper gap. Tighten the front four screws and remove the spacer.

Now, extend the inner part of the outer rails and slide the ball-bearing assemblies forward to the front of the outer rails making sure it is engaged with the plastic guide.



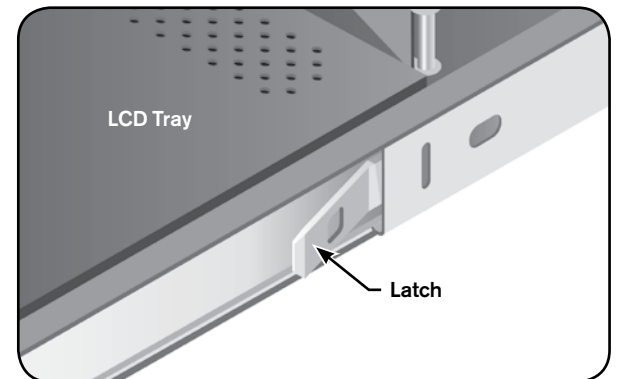
CAUTION: Failure to engage the ball-bearing assembly with the plastic guide (as shown below) can cause damage to your rail.



Carefully slide the LCD Tray into the ball-bearing assemblies in the rails.

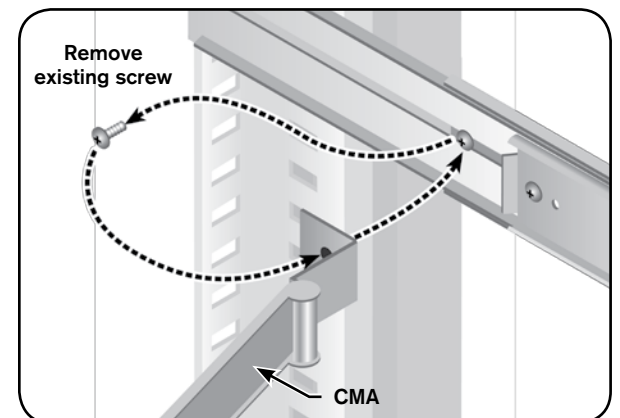
4 Sliding the 17" LCD Tray into the rack

Press the release latches, and then push the LCD Tray completely into the rack. There will be resistance initially



as the ball-bearing assemblies align between the inner and outer rails. Pull the LCD Tray out halfway, and then push it back in to seat the LCD Tray in the rails. Do this a few times until the LCD Tray moves smoothly in the rails.

Push the LCD Tray into the rack, and then tighten the four rear slide-rail bracket screws. Remove the rail-adjustment screw that is closest to the rear of the rack from the outer slide-rail bracket and discard. Loosen the Velcro® straps on the cable retractor to allow free and smooth movement



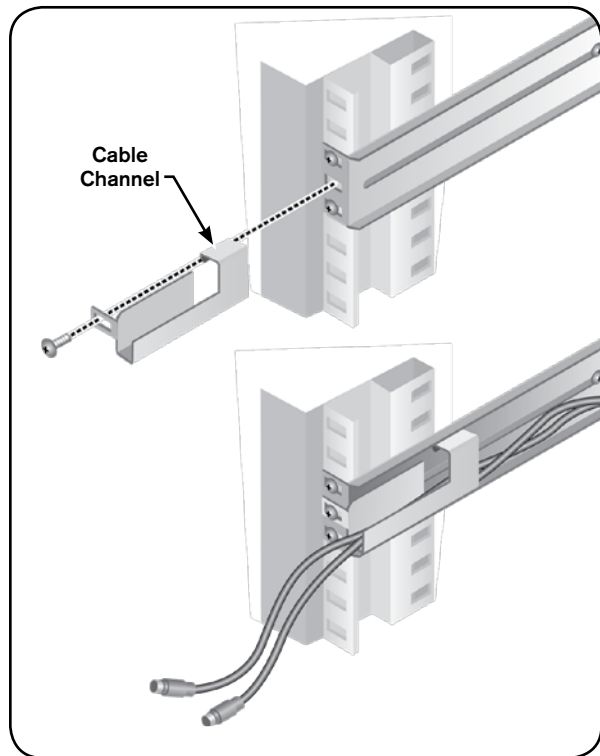
of the cable retractor arm. Align the cable-management arm (CMA) to the outer slide-rail bracket, and use the removed screw to attach the CMA.



QUICK INSTALLATION GUIDE 17" LCD Tray

5 Attaching the cable channel

Thread the cables that exit from the end of the CMA arm through the cable channel bracket before mounting the bracket to the unused center hole of the left side rack rail.



6 Connecting the 17" LCD Tray

Connect the video, keyboard, and mouse connectors to either a server or a console switch in the rack cabinet. Connect the power cord to a properly grounded electrical outlet or power distribution unit (PDU).

Fully extend the LCD Tray from the front of the rack cabinet, and then route the cables within the rack cabinet, securing them with cable straps along the way. Do not coil the cables.

To minimize the electrical interference from the video cable, arrange the cable in figure-eight loops. Secure the cable in the middle with a cable strap.

NOTE: If necessary, the monitor and keyboard can be secured inside the rack cabinet using the two thumbscrews on the front of the LCD Tray.

Keyboard Controls

The 17" LCD Tray keyboard with integrated pointing device is designed for use with any USB, PS/2 or compatible computer. Both the pointing device and keyboard use the host computer's operating system generic software drivers and therefore do not require custom software drivers to be installed on the host computer prior to use.

USB Pass-Through

Connect the passive cable (located on the front lip of the LCD Tray) to either a KVM switch or a server. This plug and play cable allows USB 2.0 devices to connect to the target appliance. No custom drivers are required for this feature.



Numeric Keypad

The number keys and letter keys share space on the keyboard. To activate the numeric keypad, press the **Num Lock** key to turn on the Num LED. With the Num

LED activated, simultaneously press the **Fn** key and the desired number key. For example, press **Fn + 0** to type the number 6.

Both the Fn LED and the Num LED must be lit in order for the numeric keypad to operate.

For longer numeric entries, press **Fn + F11** to initiate a continuously active numeric keypad.

LCD Controls	Description
	Turns the 17" LCD Tray on or off. A green LED indicates normal operation.
Auto	Auto-synchronizes and scales down display to factory presets.
Exit	Exits the OSD or returns to previous menu.
Right arrow	Selects the function to be adjusted and increases values of settings.
Left arrow	Decreases values of settings.
	Controls the brightness of backlight lamps without using the OSD menu.
Menu	Displays the OSD menu and moves selector on the OSD menu.

LCD TRAY SAFETY AND EMC NOTIFICATIONS

USA

WARNING: Changes or modifications to this unit not expressly approved by the party responsible for compliance could void the user's authority to operate the equipment.

NOTE: This equipment has been tested and found to comply with the limits for a Class A digital device, pursuant to Part 15 of the FCC Rules. These limits are designed to provide reasonable protection against harmful interference when the equipment is operated in a commercial environment. This equipment generates, uses and can radiate radio frequency energy and, if not installed and used in accordance with the instruction manual, may cause harmful interference to radio communications. Operation of this equipment in a residential area is likely to cause harmful interference in which case the user will be required to correct the interference at his own expense.

Japanese Approval

この装置は、情報処理装置等電波障害自主規制協議会（VCCI）の基準に基づくクラスA情報技術装置です。この装置を家庭環境で使用すると電波妨害を引き起こすことがあります。この場合には使用者が適切な対策を講ずるよう要求されることがあります。

Safety and EMC Approvals and Markings

CE, C-TICK, FCC, GOST, GS/INNOVA, UL, ULC, VCCI

Safety Precautions

Certifications for this product are obtained under one or more of the following designations: CMN (Certification Model Number), MPN (Manufacturer's Part Number) or

Sales Level Model designation. The designation that is referenced in the certifications reports and/or certificates are printed on the label applied to this product.

DANGEROUS VOLTAGE



This symbol is intended to alert the user to the presence of uninsulated dangerous voltage within the product's enclosure that may be of sufficient magnitude to constitute a risk of electric shock to persons. Never remove a cover on a power supply or any part that has this label attached.

NOTE: The AC inlet is the main power disconnect.

INSTRUCTIONS



This symbol is intended to alert the user to the presence of important operating and maintenance (servicing) instructions.

WARNING: To reduce the risk of electric shock or damage to your equipment:

- Do not connect or disconnect any cables or perform installation, maintenance, or reconfiguration of this product during an electrical storm.
- Connect all power cords to a properly wired and grounded electrical outlet.
- Connect any equipment that will be attached to this product to properly wired outlets.
- When possible, only use one hand to connect or disconnect signal cables.
- Never turn on any equipment when there is evidence of fire, water, or structural damage.
- Disconnect the attached power cords, networks, telecommunications systems and modems before you open the device covers, unless instructed otherwise in the installation and configuration procedures.

Rack and Wall Mount Safety Considerations

- Elevated Ambient Temperature: If installed in a closed rack assembly, the operation temperature of the rack environment may be greater than room ambient. Use care not to exceed the rated maximum ambient temperature of the appliance.
- Reduced Air Flow: Installation of the equipment in a rack should be such that the amount of airflow required for safe operation of the equipment is not compromised.
- Mechanical Loading: Mounting of the equipment in the rack should be such that a hazardous condition is not achieved due to uneven mechanical loading.
- Circuit Overloading: Consideration should be given to the connection of the equipment to the supply circuit and the effect that overloading of circuits might have on overcurrent protection and supply wiring. Consider equipment nameplate ratings for maximum current.
- Reliable Earthing: Reliable earthing of rack mounted equipment should be maintained. Pay particular attention to supply connections other than direct connections to the branch circuit (for example, use of power strips).



To Contact Avocent Technical Support: Visit www.avocent.com

Avocent and the Avocent logo are registered trademarks of Avocent Corporation or its affiliates in the U.S. and other countries. All other marks are the property of their respective owners. ©2009 Avocent Corporation.